



XSSC Multiple Speed Controller

For 3-Speed Units

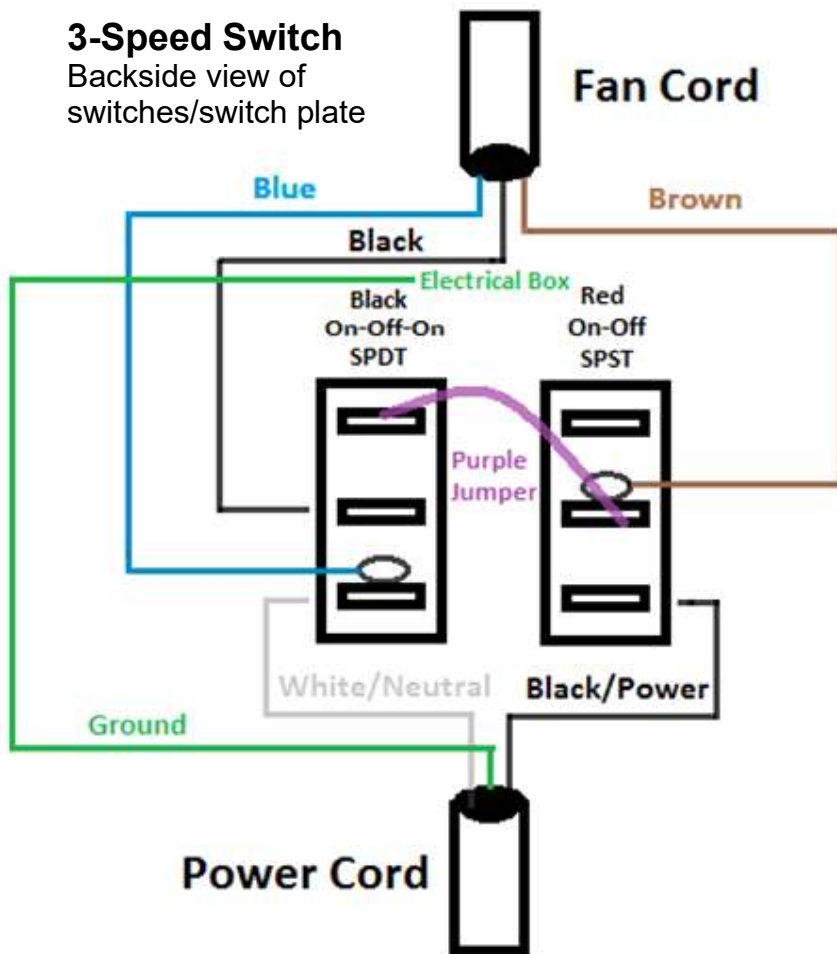
AirRow's XSSC Controller houses multiple fans on a single circuit with output to a wall switch, on/off function and 3 pre-set speeds.

AirRow comes standard with the EC motor. Now, our proprietary XSSC controller allows for the zone control of multiple fans.

Installation Steps –

1. Install the XSSC on the wall in the utility operations area. The unit can be installed into an existing 110V outlet.
2. Use #14 (can use #12) wire with a ground.
3. Wire the same color wire on high and low. Typical colors for 14/2 or 12/2 wire with ground are Black, White, and "Bare" (Ground).
4. Wire the high and low wire in parallel from each of the Air-Row fans to the wall-mounted XSSC. Wires can be run to a strategically located junction box. Wire nut and run three wires down to the XSSC.

Electrical wiring of our fans should be done by a licensed electrician, adhering to fire safety standards and applicable local codes.



421 Industrial Drive
Carmel, IN 46032
www.airrowfans.com

Office: 317-691-7255
Sales: 317-691-7255
Tech Support: 317-574-1009



XSSC Multiple Speed Controller

For 2-Speed Units

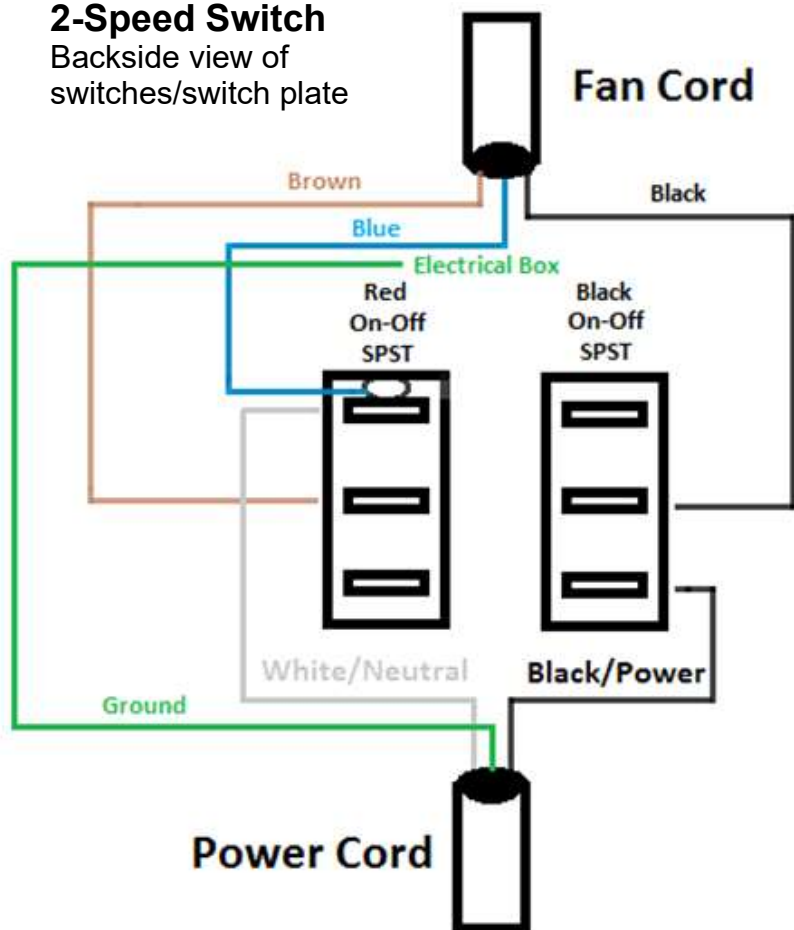


AirRow's XSSC Controller houses multiple fans on a single circuit with output to a wall switch, on/off function and 2 pre-set speeds.

AirRow comes standard with the EC motor. Now, our proprietary XSSC controller allows for the zone control of multiple fans.

2-Speed Switch

Backside view of switches/switch plate



Installation Steps –

1. Install the XSSC on the wall in the utility operations area. The unit can be installed into an existing 110V outlet.
2. Use #14 (can use #12) wire with a ground.
3. Wire the same color wire on high and low. Typical colors for 14/2 or 12/2 wire with ground are Black, White, and "Bare" (Ground).
4. Wire the high and low wire in parallel from each of the Air-Row fans to the wall-mounted XSSC. Wires can be run to a strategically located junction box. Wire nut and run three wires down to the XSSC.

Electrical wiring of our fans should be done by a licensed electrician, adhering to fire safety standards and applicable local codes.

